

PanelGuard™

Commercial and Industrial-Grade Surge Protection



Intermatic.com





The Return of a **Trusted Defender**

Protect commercial and industrial facilities with **PanelGuard™** from Intermatic. Commercial/Industrial-Grade Surge Protection for your facility's service entrance or load side. Intermatic PanelGuard Surge Protective Devices are designed to react quickly to eliminate surges providing optimal protection to downstream equipment. PanelGuard Commercial/Industrial-Grade Series are Parallel Connected Surge Protective Devices designed to protect all types of loads fed from individual disconnects, sub-panels, distribution panels and service entrance locations.

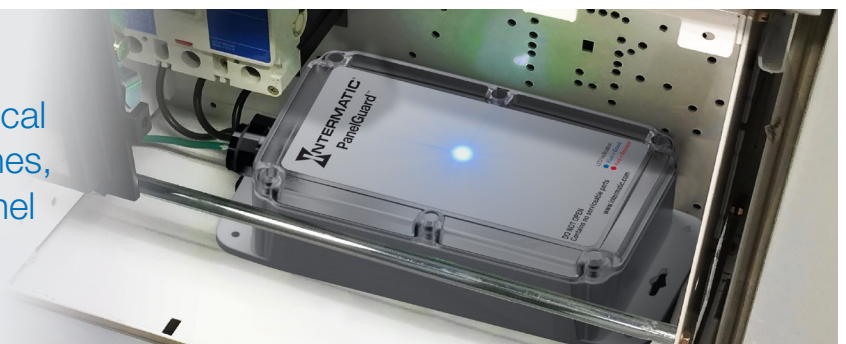
Choose PanelGuard on new construction and retrofit projects for reliable surge protection from a brand you can trust.

Key Features

- Type 1 and Type 2 Surge Protection
- Optional Audible Alarm and Dry Relay Contacts
- Rigid Watertight Metal Hub
- 4 Modes of Protection (L Series), 7 Modes of Protection (H Series)
- NFPA 780, UL 96A Lightning System Protection Compliant
- Optional Advanced Electrical Noise Filter (UL 1283)
- NEMA 4X Enclosure for Indoor or Outdoor Installation
- Individually Integrated Disconnect TPMOV Surge Protection Technology
- Blue LED Protection Status Indicator, and Red LED Service Indicator (L Series)
- Blue LED Status Indicator Per Phase, and Red LED Service Indicator (H Series)



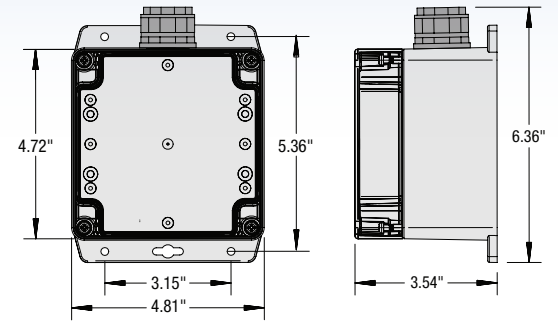
For **external mounting** on electrical distribution panels, transfer switches, switchboards, motor controls, panel boards and switchgears.



The Right SPD for Your Project

PanelGuard makes it easy for specifiers to implement a robust surge protection solution that's tailored to meet project and application needs.

The PanelGuard L Series offers 4 modes of surge protection and two housing options. It's an excellent choice for flexible projects that require a base level of surge protection. The upgraded PanelGuard H Series includes 7 modes of protection in a single housing size, making for a premium defense against unexpected surge events.



Dimensional Perspective (L Series)

L Series

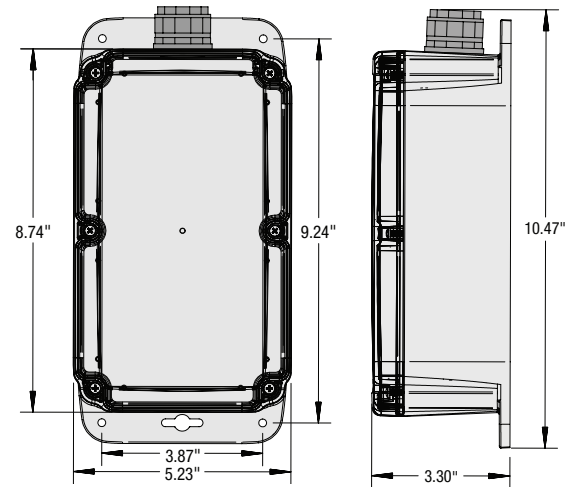
L series SPDs are the option for "loosely specified" projects where 7 modes of protection are not required.

- 4 Modes of Protection
- Large and Small Housing Options
- Blue LED Protection Status Indicator, and Red LED Service Indicator
- Optional Surge Rating of 50 kA Per Mode or 100 kA Per Phase
- 5-Year Limited Product Warranty

H Series

H series SPDs are the option for "hard specified" projects where 7 modes of protection are required.

- 7 Modes of Protection
- Large Housing
- Blue LED Status Indicator Per Phase, and Red LED Service Indicator
- Optional Surge Rating of 100 kA Per Mode or 200 kA Per Phase
- 10-Year Limited Product Warranty



Dimensional Perspective (L10 and H Series)

MCOV and VPR Ratings

		MCOV LG	MCOV LL	MCOV LN	MCOV NG	VPR LN	VPR LL	VPR LG	VPR NG
H10 Series	120-240 VAC 1 Ph	150	300	150	150	700	1200	700	700
	120/208 VAC 3Ph Wye	150	300	150	150	600	1000	600	700
	120/240 VAC 3Ph High Leg Delta	150/300*	300/300*	150/300*	150	700/1200*	1200/1800*	700/1200*	700
	277/480 VAC 3Ph Wye	320	640	320	320	1200	2500	1200	1200
	347/600 VAC 3Ph Wye	400	800	400	400	1500	2500	1500	1500
H20 Series	120-240 VAC 1 Ph	150	300	150	150	700	1200	700	700
	120/208 VAC 3Ph Wye	150	300	150	150	700	1000	700	700
	120/240 VAC 3Ph High Leg Delta	150/300*	300/300*	150/300*	150	800/1200*	1200/2000*	700/1200*	700
	277/480 VAC 3Ph Wye	320	640	320	320	1200	2500	1200	1200
	347/600 VAC 3Ph Wye	400	800	400	400	1500	3000	1500	1500
L5 Series	120-240 VAC 1 Ph	150	300	150	150	700	1200	1200	600
	120/208 VAC 3Ph Wye	150	300	150	150	700	1200	1200	600
	120/240 VAC 3Ph High Leg Delta	150/300*	300/300*	150/300*	150	700/1200*	1200/2500*	1200/1800*	600
	277/480 VAC 3Ph Wye	320	640	320	320	1200	2500	2500	1200
	347/600 VAC 3Ph Wye	420	800	420	420	1500	3000	3000	1500
L10 Series	120-240 VAC 1 Ph	150	300	150	150	700	1000	1000	700
	120/208 VAC 3Ph Wye	150	300	150	150	700	1200	1200	600
	120/240 VAC 3Ph High Leg Delta	150/300*	300/300*	150/300*	150	600/1200*	1200/2000*	1200/2000*	700
	277/480 VAC 3Ph Wye	320	640	320	320	1200	2500	2500	1200
	440/480 VAC 3Ph Delta	552	552				4000	1800	
347/600 VAC 3Ph Wye	420	800	420	420	1500	3000	3000	1500	

* Is with reference to the Phase High Leg

PanelGuard L Series Offering

L5 SERIES (5-Year Limited Product Warranty)

4 MODE MAX SURGE CURRENT 50 kA Per Phase, SCCR rating of 200kA and In rating of 20kA, Blue LED Protection Status Indicator and Red LED Service Indicator

Intermatic Part #	SPD Type	Audible Alarm, Dry Relay Contact	Filter	Voltage Code
L5F21S1DG1	2		EMI/RFI FILTER	(SPLIT PHASE 120/240 V)
L5F21S1DG2	2	Yes	EMI/RFI FILTER	
L5F13D1DG1	1			(3 PHASE HIGH LEG DELTA 120/240 V)
L5F13D1DG2	1	Yes		
L5F13Y1DG1	1			(3 PHASE WYE 120/208 V)
L5F13Y1DG2	1	Yes		
L5F23Y1DG1	2		EMI/RFI FILTER	(3 PHASE WYE 120/208 V)
L5F23Y1DG2	2	Yes	EMI/RFI FILTER	
L5F13Y2DG1	1			(3 PHASE WYE 277/480 V)
L5F13Y2DG2	1	Yes		
L5F23Y2DG1	2		EMI/RFI FILTER	(3 PHASE WYE 277/480 V)
L5F23Y2DG2	2	Yes	EMI/RFI FILTER	
L5F13Y3DG1	1			(3 PHASE 347/600 V)
L5F13Y3DG2	1	Yes		

L10 SERIES (5-Year Limited Product Warranty)

4 MODE MAX SURGE CURRENT 100 kA Per Phase, SCCR rating of 200kA and In rating of 20kA, Blue LED Protection Status Indicator and Red LED Service Indicator

Intermatic Part #	SPD Type	Audible Alarm, Dry Relay Contact	Filter	Voltage Code
L10F11S1DG1	1			(SPLIT PHASE 120/240 V)
L10F11S1DG2	1	Yes		
L10F23D1DG1	2		EMI/RFI FILTER	(3 PHASE HIGH LEG DELTA 120/240 V)
L10F23D1DG2	2	Yes	EMI/RFI FILTER	
L10F13N4DG1	1			(3 PHASE DELTA 440/480 V)
L10F13N4DG2	1	Yes		
L10F23N4DG1	2		EMI/RFI FILTER	(3 PHASE DELTA 440/480 V)
L10F23N4DG2	2	Yes	EMI/RFI FILTER	
L10F13Y1DG1	1			(3 PHASE WYE 120/208 V)
L10F13Y1DG2	1	Yes		
L10F23Y1DG1	2		EMI/RFI FILTER	(3 PHASE WYE 120/208 V)
L10F23Y1DG2	2	Yes	EMI/RFI FILTER	
L10F13Y2DG1	1			(3 PHASE WYE 277/480 V)
L10F13Y2DG2	1	Yes		
L10F23Y2DG1	2		EMI/RFI FILTER	(3 PHASE WYE 277/480 V)
L10F23Y2DG2	2	Yes	EMI/RFI FILTER	
L10F13Y3DG1	1			(3 PHASE 347/600 V)
L10F13Y3DG2	1	Yes		

PanelGuard H Series Offering

H10 SERIES (10-Year Limited Product Warranty)

7 MODE MAX SURGE CURRENT 100 kA Per Phase, SCCR rating of 200kA and In rating of 20kA, Blue LED Status Indicator Per Phase Red LED Service Indicator

Intermatic Part #	SPD Type	Audible Alarm, Dry Relay Contact	Filter	Voltage Code
H10S21S1DG1	2		EMI/RFI FILTER	(SPLIT PHASE 120/240 V)
H10S21S1DG2	2	Yes	EMI/RFI FILTER	
H10S13D1DG1	1			(3 PHASE HIGH LEG DELTA 120/240 V)
H10S13D1DG2	1	Yes		
H10S23D1DG1	2		EMI/RFI FILTER	(3 PHASE HIGH LEG DELTA 120/240 V)
H10S23D1DG2	2	Yes	EMI/RFI FILTER	
H10S13Y1DG1	1			(3 PHASE WYE 120/208 V)
H10S13Y1DG2	1	Yes		
H10S23Y1DG1	2		EMI/RFI FILTER	(3 PHASE WYE 120/208 V)
H10S23Y1DG2	2	Yes	EMI/RFI FILTER	
H10S13Y2DG1	1			(3 PHASE WYE 277/480 V)
H10S13Y2DG2	1	Yes		
H10S23Y2DG1	2		EMI/RFI FILTER	(3 PHASE WYE 277/480 V)
H10S23Y2DG2	2	Yes	EMI/RFI FILTER	
H10S13Y3DG1	1			(3 PHASE 347/600 V)
H10S13Y3DG2	1	Yes		

H20 SERIES (10-Year Limited Product Warranty)

7 MODE MAX SURGE CURRENT 200 kA Per Phase, SCCR rating of 200kA and In rating of 20kA, Blue LED Status Indicator Per Phase Red LED Service Indicator

Intermatic Part #	SPD Type	Audible Alarm, Dry Relay Contact	Filter	Voltage Code
H20S21S1DG1	2		EMI/RFI FILTER	(SPLIT PHASE 120/240 V)
H20S21S1DG2	2	Yes	EMI/RFI FILTER	
H20S13D1DG1	1			(3 PHASE HIGH LEG DELTA 120/240 V)
H20S13D1DG2	1	Yes		
H20S23D1DG1	2		EMI/RFI FILTER	(3 PHASE HIGH LEG DELTA 120/240 V)
H20S23D1DG2	2	Yes	EMI/RFI FILTER	
H20S13Y1DG1	1			(3 PHASE WYE 120/208 V)
H20S13Y1DG2	1	Yes		
H20S23Y1DG1	2		EMI/RFI FILTER	(3 PHASE WYE 120/208 V)
H20S23Y1DG2	2	Yes	EMI/RFI FILTER	
H20S13Y2DG1	1			(3 PHASE WYE 277/480 V)
H20S13Y2DG2	1	Yes		
H20S23Y2DG1	2		EMI/RFI FILTER	(3 PHASE WYE 277/480 V)
H20S23Y2DG2	2	Yes	EMI/RFI FILTER	
H20S13Y3DG1	1			(3 PHASE 347/600 V)
H20S13Y3DG2	1	Yes		

Get Started Today

Don't risk a costly equipment failure or service stoppage. Contact the Intermatic Technical Sales team to discuss how PanelGuard can provide a lasting defense against industrial and commercial power surge issues.

Technical Support: 1(815) 675-7000 | support@intermatic.com

Intermatic.com      
 Intermatic Incorporated Libertyville, IL 60048
 ©2020 Intermatic 300IG10296

Product Certifications

- ANSI/UL 1449 4th Edition ANSI/UL 1283* and CSA C22.2 No. 269.2-13 and No. 8-13*(VZCA, VZCA7, FOKY*, & FOKY7*) *Type 2 SPD's only.
- NFPA 780 & UL 96A Lightning Protection Systems.
 - ANSI/IEEE C62.72-2016, ANSI/IEEE C62.41.1, C62.41.2-2002, and C62.45-2002, ANSI/IEEE C62.62-2010 environments: Categories: A, B & C.
 - 2020 National Electric Code, Article 242 (previously NEC, Art. 285), 700.10 & 708.20.

